

WINEGARD® DS-2076 ASSEMBLY INSTRUCTIONS

STEP 1. Assemble the mount pipe and foot as shown in Figure 1.

CAUTION: Do Not Overtighten the 1/4-20 X 2-1/2" Bolt. May Crush Mount Pipe.

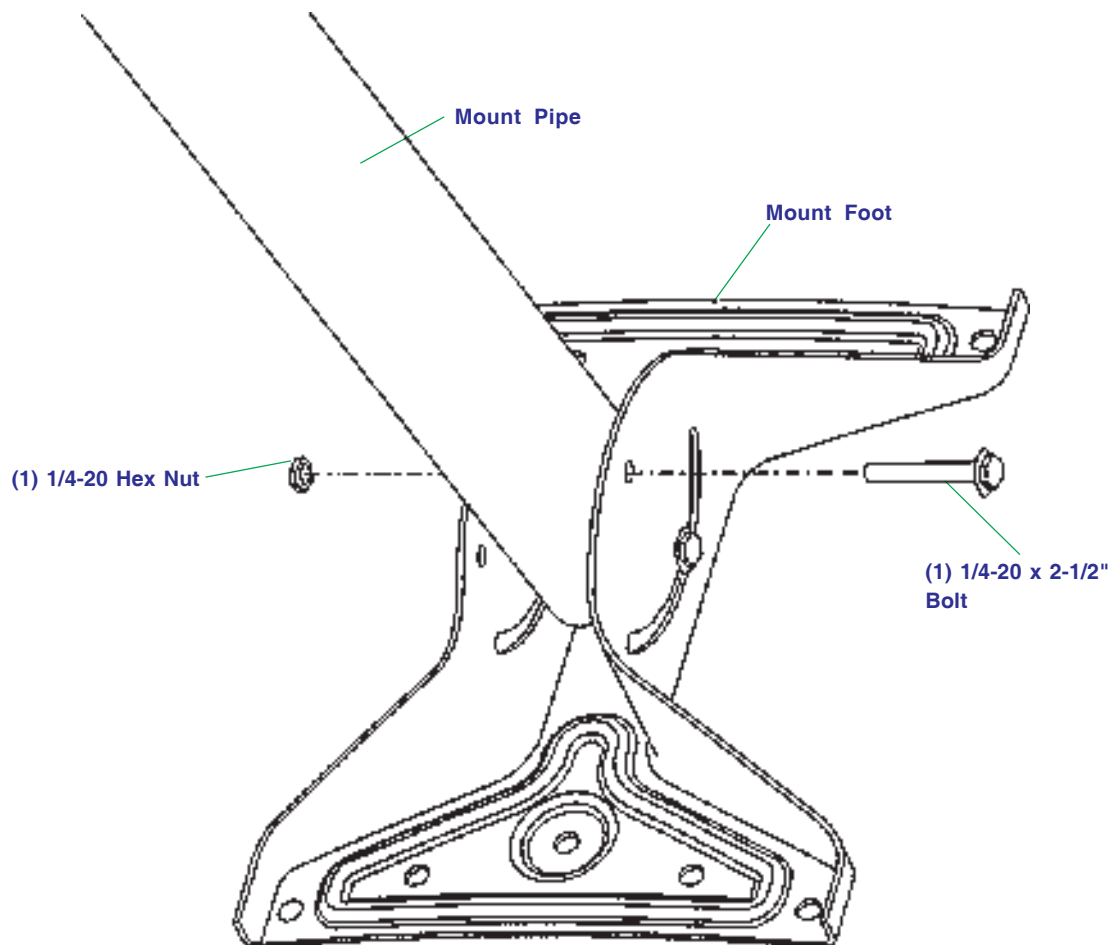


FIGURE 1

(see reverse side)

STEP 2. Attach the reflector and feed support to the backup as shown in Figure 2.

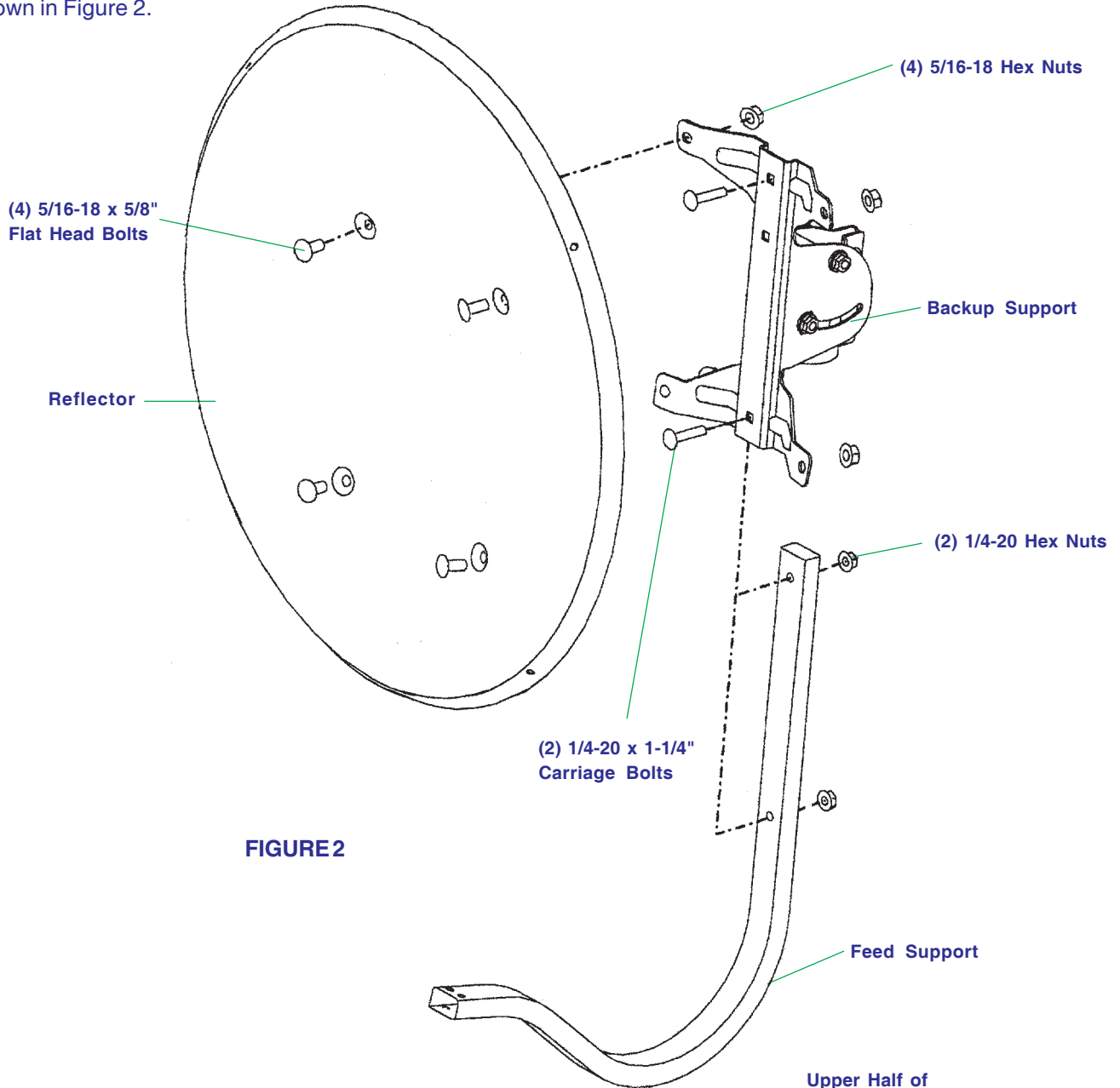


FIGURE 2

STEP 3. Attach feed clamp to feed support as shown in Figure 3.

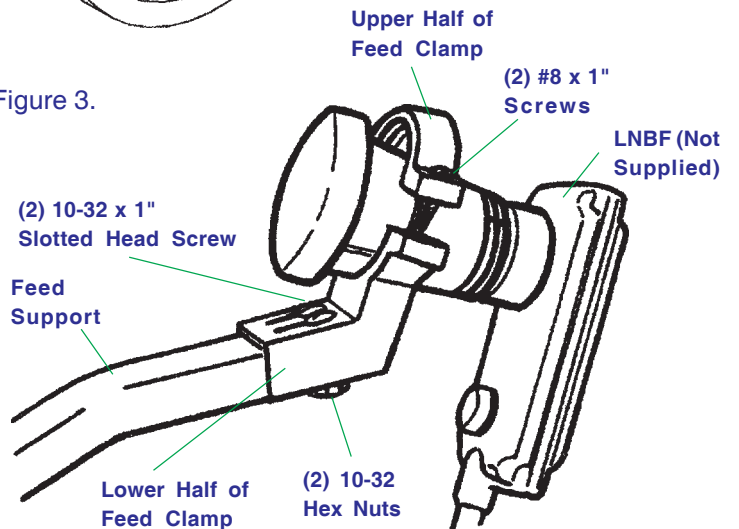


FIGURE 3